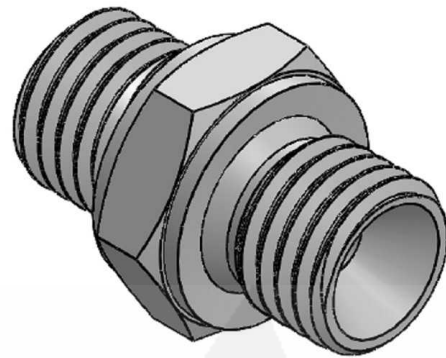
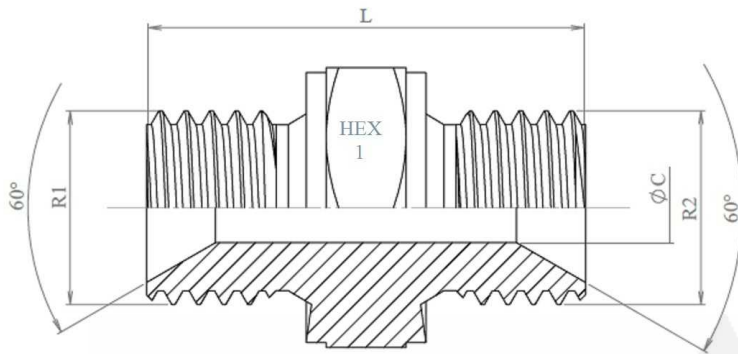


Adaptadores BSP

Uniones rectas macho

Adaptador macho - macho BSP cono 60°

Acero Inoxidable AISI 316-L



| R1 | R2 | L | HEX 1 | ØC |
|-----------|-----------|------|-------|------|
| 1/8" BSP | 1/8" BSP | 22 | 14 | 3,5 |
| 1/4" BSP | 1/4" BSP | 31 | 17 | 6 |
| 1/4" BSP | 1/4" BSP | 31 | 19 | 6 |
| 3/8" BSP | 3/8" BSP | 35 | 22 | 8 |
| 1/2" BSP | 1/2" BSP | 42,5 | 27 | 11 |
| 5/8" BSP | 5/8" BSP | 45 | 30 | 14 |
| 3/4" BSP | 3/4" BSP | 45 | 32 | 16 |
| 1" BSP | 1" BSP | 53 | 41 | 22 |
| 1"1/4 BSP | 1"1/4 BSP | 56 | 50 | 28,5 |
| 1"1/2 BSP | 1"1/2 BSP | 61 | 55 | 33 |
| 2" BSP | 2" BSP | 71 | 65 | 46 |
| 2" BSP | 2" BSP | 71 | 70 | 46 |
| 2"1/2 BSP | 2"1/2 BSP | 72 | 85 | 55 |
| 3" BSP | 3" BSP | 90 | 100 | 64 |