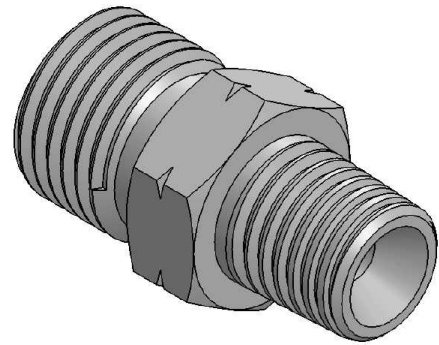
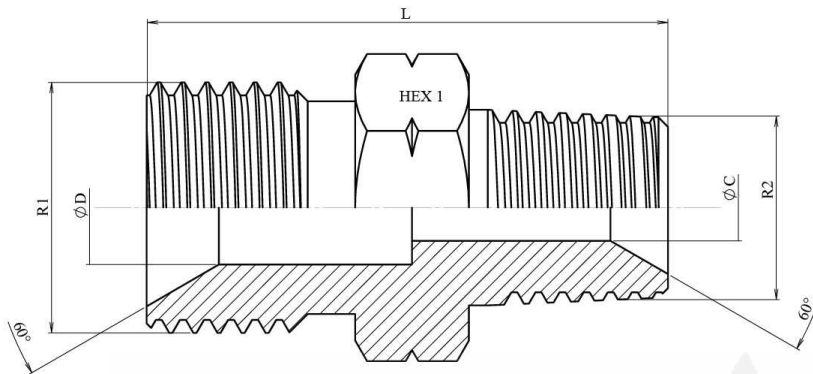


Reductor macho BSP (60°) - macho NPT

Acero al carbono



Artículo	R1	R2	L	HEX 1	ØC	ØD
60190402	1/4" BSP	1/8" NPT	28	19	4,7	4,7
60190406	1/4" BSP	3/8" NPT	34,6	19	10,31	4,7
60190408	1/4" BSP	1/2" NPT	37,5	22	11	6
60190608	3/8" BSP	1/2" NPT	38,5	22	11	8
60190806	1/2" BSP	3/8" NPT	40	27	10,3	10,3
60190812	1/2" BSP	3/4" NPT	42	27	16	11
60191208	3/4" BSP	1/2" NPT	48	32	13,5	16,7
60191216	3/4" BSP	1" NPT	49	36	22	16