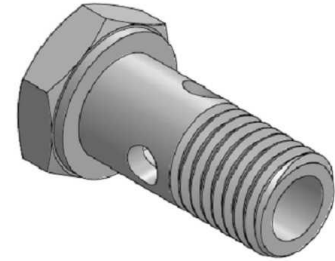
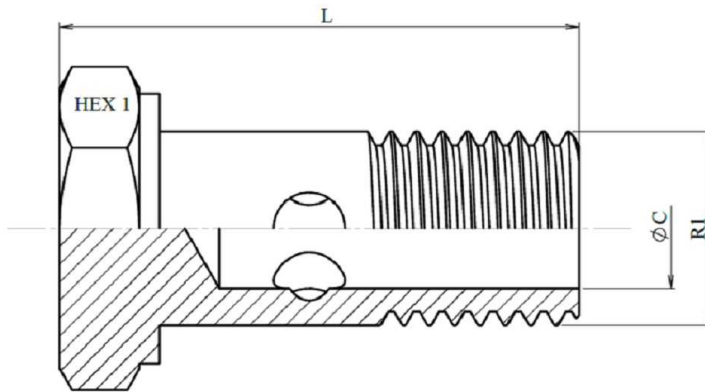


Tornillo orientable simple BSP

Acero al carbono



Artículo	R1	HEX 1	ØC	L
HID341810202	1/8" BSP	14	6	26
HID341810404	1/4" BSP	19	6	33,5
HID341810606	3/8" BSP	22	9	39,5
HID341810808	1/2" BSP	27	13	47,5
HID341811010	5/8" BSP	30	13	52
HID341811212	3/4" BSP	32	16	59
HID341811616	1" BSP	41	19	74
HID341812020	1"1/4 BSP	50	20	84